

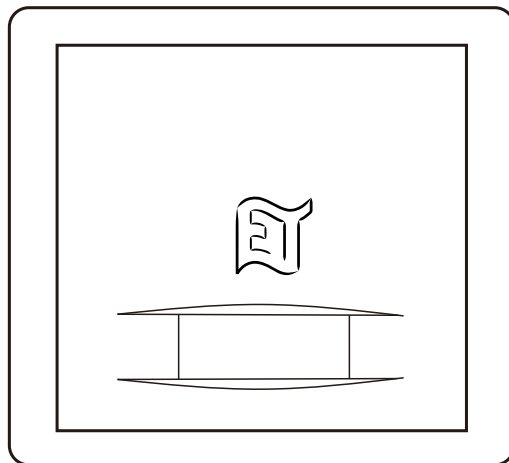


Enviro-Tech

# INSTALLATION INSTRUCTIONS

URINAL FLUSH VALVE

ET3-10



**Thank you for purchasing this Enviro-Tech product**

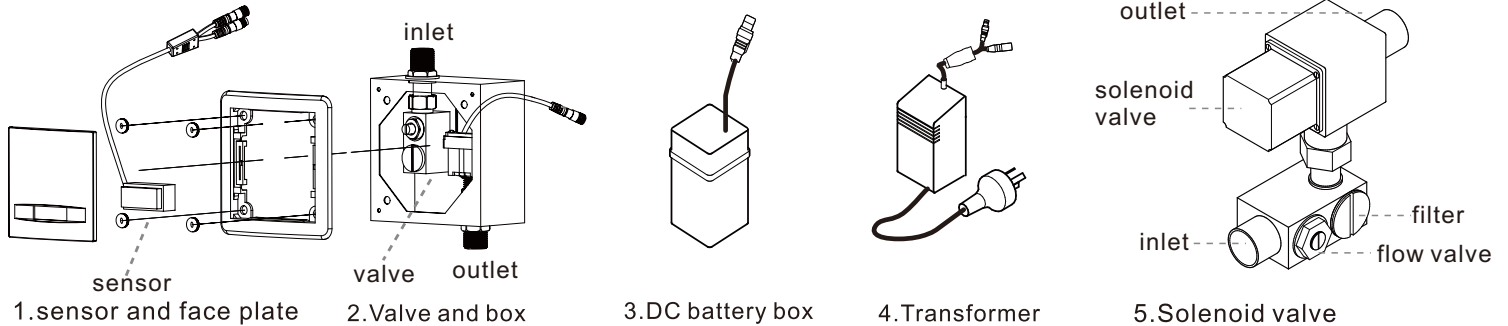
# INSTALLATION INSTRUCTIONS URINAL FLUSH VALVE

We strongly recommend that you use a qualified and registered plumber and electrician. You must ensure all pipe work is flushed adequately, particularly in new builds or where lines have been disrupted. Components of sensor products are particularly susceptible to debris and will require more thorough flushing than a standard plumbing fixture.

## TECHNICAL SPECIFICATION

Function	ET3-10
Power input	DC:6V(4x1,5V AA alkaline battery) AC:220-240V (50/60 Hz)
Power consumption	Static:<4Ma,active:<500mA
Water pressure	100kPa-500kPa (recommended 350kPa)
Inlet/outlet diameter	15mm ½ G
Detection zone	750mm-800mm (Adjustable - see Sensor Adjustment)
Confirmation time	5 seconds
Flush time	4 Seconds (Adjustable - see Sensor Adjustment)
Reset time after flush	10 seconds
Trap seal protection	Automatic flush every 24hrs if not used
Stadium mode	Pre-flush stops when in frequent use

## COMPONENTS



## INSTALLATION STEPS

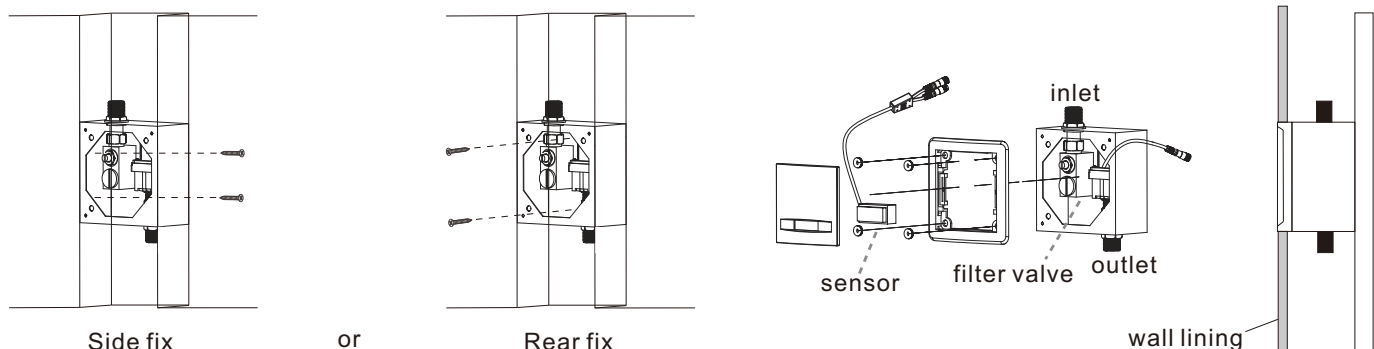
- > Fix urinal box and face plate within wall - only faceplate and surround visible after install complete. Plastic packing cover screws on to box to protect internals after rough in stage. Face plate to be fixed on finishing.
- > Connect water feed to inlet valve.
- > Connect outlet to urinal.
- > Insert batteries to DC battery box.
- > Connect battery box to transformer. (If mains powered)
- > Connect transformer (battery box if DC only) to face plate.
- > Connect solenoid valve to face plate plug.
- > Connect transformer to power.

**Once installation is complete** - test flush by activating infrared sensor, collect the flush water in measuring jug (including pre-flush), the total volume should be less than 1.0Ltr. If necessary adjust flow with flow valve adjuster by inlet. (Note: Total flush volume of .900mls is preset at the factory using 350kPa)

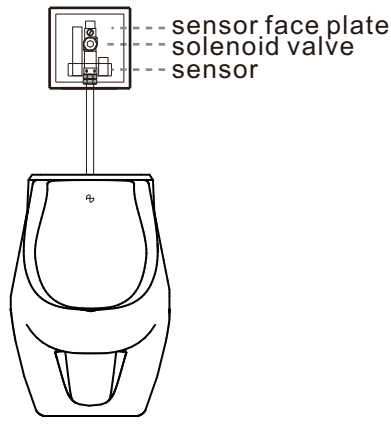
## VALVE BOX INSTALLATION

1. Fix control box within wall, can be side or rear fixed.

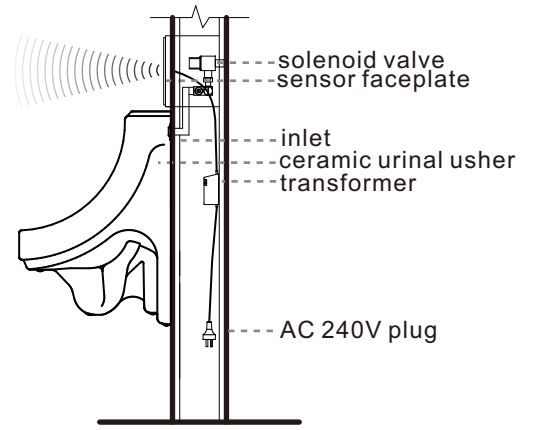
2. Attach face plate to control box.



# INSTALLATION-FRONT VIEW



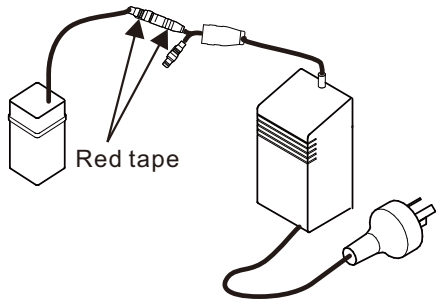
# INSTALLATION-SIDE VIEW



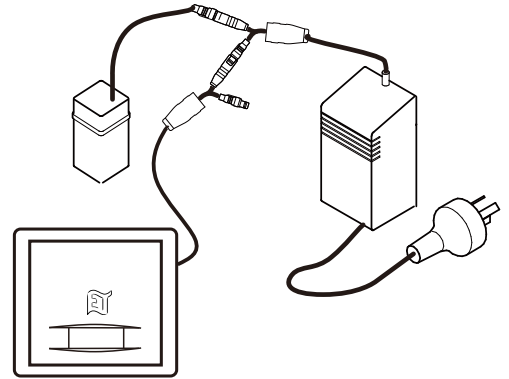
## CABLE CONNECTION

**WARNING:** If parts are connected incorrectly electronics can be damaged!

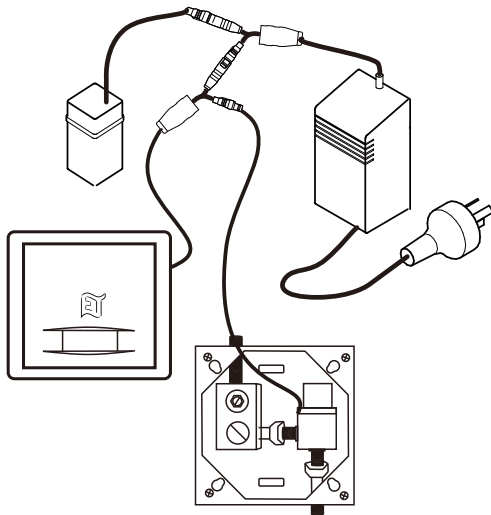
1. Insert batteries to DC battery box and connect battery box to transformer. (If mains powered)



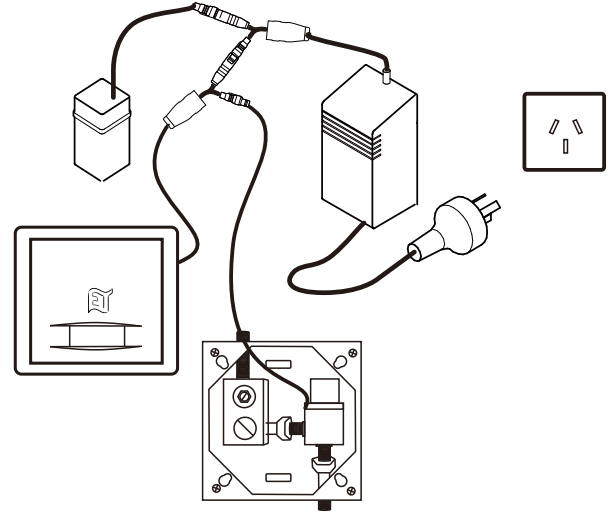
2. Connect transformer (battery box if DC only) to face plate.



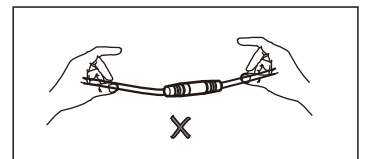
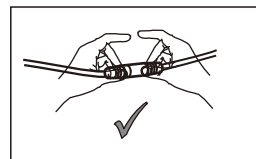
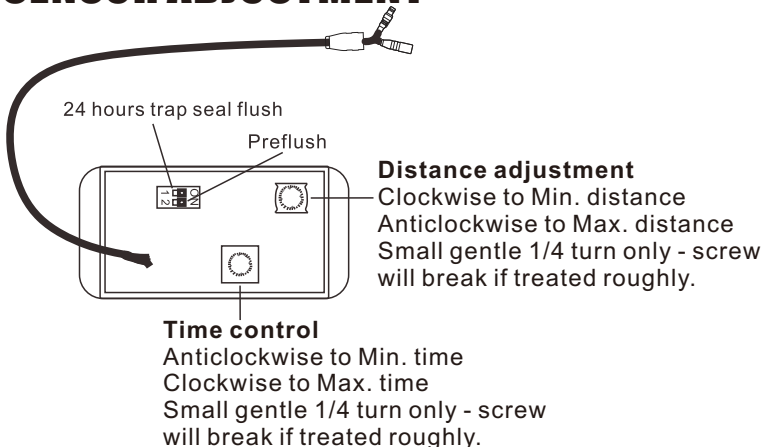
3. Connect solenoid valve to face plate plug.



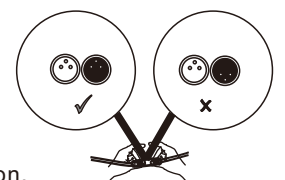
4. Connect transformer to power.  
**Confirm there is power at the socket.**



## SENSOR ADJUSTMENT



**Attention:**  
Hold the plug not the wire to connect and disconnect and make sure the pins align to the holes in the right position.



# TROUBLE SHOOTING

Problem	Possible Cause	Solution
No water out or water will not stop running	<u>Most common:</u> No water supply/No power  Sensor obstructed/dirty	<ul style="list-style-type: none"><li>• Check water and power supply, change batteries.</li><li>• Unplug <u>all</u> cables, leave unplugged for 5 minutes.</li><li>• If Mains – reconnect battery box to transformer before the sensor cable.</li><li>• Remove faceplate and check sensor is adequately secured/seated. Rough handling can break securing grub screws.</li></ul> Clean sensor
Too little water flow	Low water pressure/ pressure is turned down The filter or solenoid is dirty	Adjust/raise the pressure  Clean the filter. Clean/replace solenoid
Too much water flow	Water pressure is too high	Adjust pressure
Indicator light is off/flashing	No power – batteries are flat Bad connection	Replace batteries Check connections
Flush time not adequate	Sensor requires adjustment	See Sensor Adjustment Diagram. Care is required, small gentle ¼ turn only and retest advised. <b>Adjustment screw can break if mistreated and may not be covered by your product warranty.</b>
Urinal is self-activating	All infra-red technology can be affected by strong or directional light, reflective surfaces or high-viz clothing. This is due to environmental factors and is not a product fault.	

**For detailed troubleshooting advice, see the Installation page of our websites [enviro-tech.com.au](http://enviro-tech.com.au) or [enviro-tech.co.nz](http://enviro-tech.co.nz) or call us on the numbers below.**



## WARRANTY

This Enviro-Tech product is guaranteed for 12 months from the date of purchase. This is a parts only warranty and Enviro-Tech is not liable for any associated costs incurred in the replacement or repair of any item. For full details of the warranty conditions, see the Warranty page of our websites.

## AFTERCARE

Whilst advanced plating techniques are used in the manufacture of this product. The surface will be affected if cleaned incorrectly. Surfaces should be maintained using a clean damp cloth, no abrasive agents or materials should be used or come into contact with the surface finish, or this will invalidate your warranty.

This Enviro-Tech product is manufactured strictly to adhere to the ISO9001 standard, WaterMark certification and WELS standards. Enviro-tech reserves the right to update product technology at any time.

Contact Info:

Australia – 1300 530 883 or [info@enviro-tech.com.au](mailto:info@enviro-tech.com.au)

New Zealand – 0800 2 ENVIRO or [info@enviro-tech.co.nz](mailto:info@enviro-tech.co.nz)