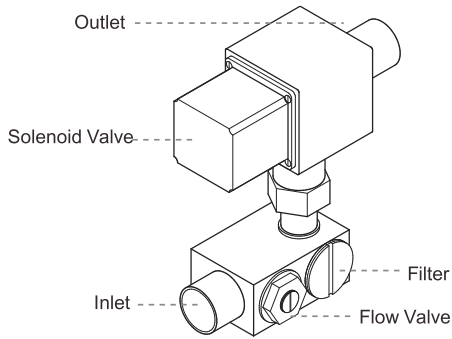


COMPONENTS

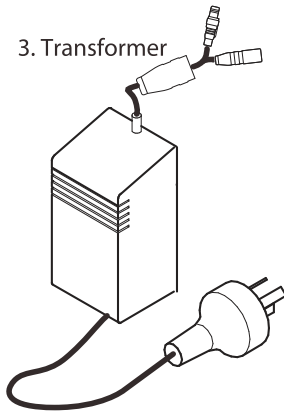
1. Solenoid Valve



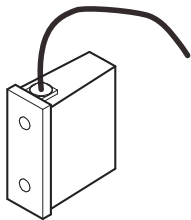
2. DC Battery box



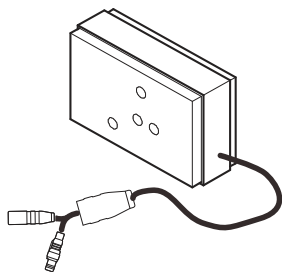
3. Transformer



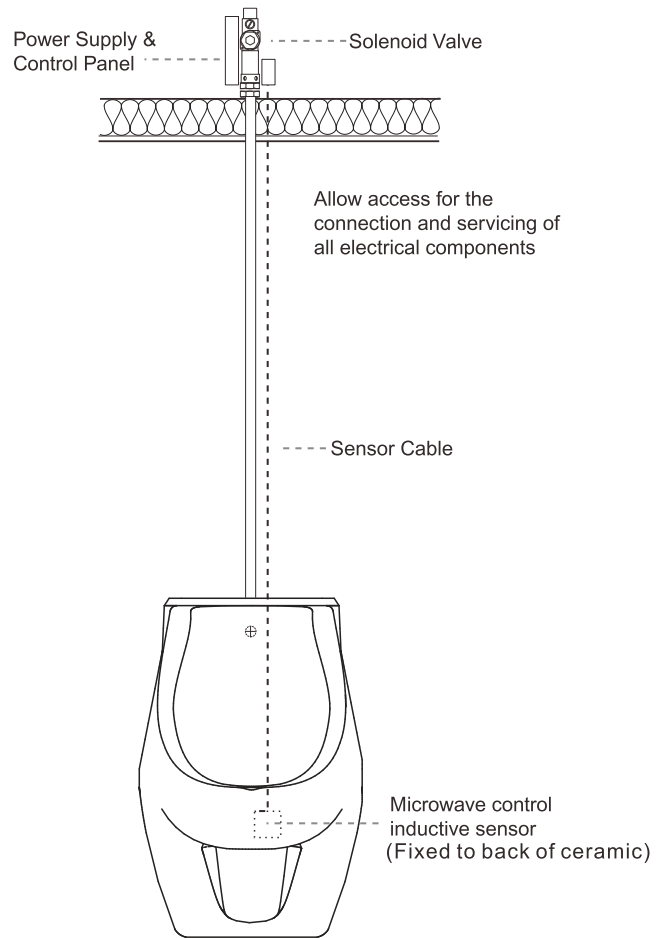
4. Sensor box



5. Control Panel box



INSTALLATION - IN-CEILING



INSTALLATION - IN-WALL

