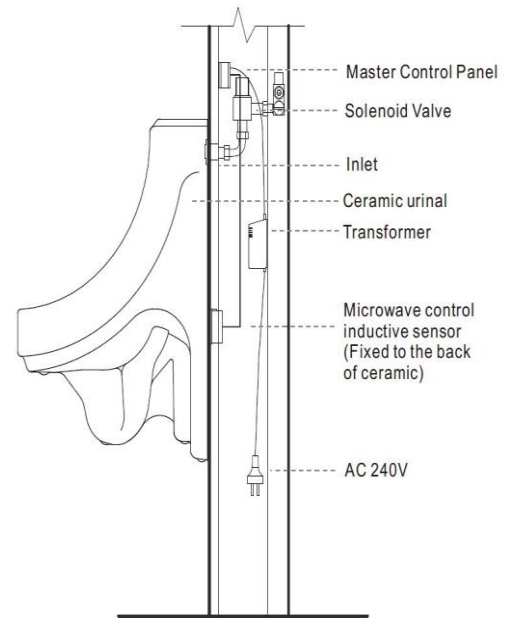


Specification Summary – ET3-M Sensor Urinal Flush Valve

- Versatile 6 Star WELS Smart Demand urine sensing flush valve (ceramic not supplied)
- Watermark
- Specify where water efficiency or Green Star rating is a priority
- Pre-set to deliver 0.8L per full flush (at 350kPa)
- Highly suitable for Commercial or Domestic use
- Equivalent spec of Caroma 0.8 Electronic Cube
- Hygienic no-touch operation
- No visible parts – great for design
- Standard installation method is in-wall/in-duct behind the urinal (must remain accessible for maintenance)
- *Sensor is attached to rear base of urinal – note drawing is indicative of components only, sensor placement will vary depending on urinal.
- If installing in-ceiling:
 - use of air-break valve recommend (not supplied)
 - use copper pipe only between solenoid outlet and urinal
 - plumbing must be exact to ensure correct product function – more details and drawing can be supplied on request.
 - 5m long sensor cable can be supplied
- Confirmation time – detects constant flow 6 times in 5 seconds before flushing
- Minimum of 10 Seconds re-set after flush
- Automatic Stadium mode
- Auto hygiene flush every 24hrs when not used
- Detection zone – pre-set at 250mm
- Requires mains power - with battery back-up
- Water pressure between 100-500kPa (350kPA is recommended)
- Water Inlet – 15mm ½" G
- Water temperature - 1-50°
- Transformer cable approx. 1M

***STANDARD IN-WALL INSTALLATION**



Contact Us:

Australia – 1300 530 883 or info@enviro-tech.com.au
 New Zealand – 0800 2 ENVIRO or info@enviro-tech.co.nz